



OPERATING INSTRUCTIONS FOR  
PORTABLE RECOVERY SYSTEM  
***PWR-10-0ME1***  
(AFTER SERIAL #30008169)



CAUTION

RISK OF INJURY!

READ MANUAL BEFORE OPERATING!

This manual is an important part of the PWR System and must remain with the unit when you sell or rent it!

## CONTENTS

INTRODUCTION .....	3
SAFETY WARNINGS .....	5
PORTABLE WATER RECOVERY UNITS .....	6
FEATURES LISTING .....	6
INSTALLATION & PREPARATION.....	7
ATTIRE: .....	7
SET-UP:.....	7
POWER CORD CONNECTION:.....	8
OPERATING INSTRUCTIONS.....	9
OPERATION: .....	9
SHUTDOWN: .....	9
STORAGE & MAINTENANCE .....	10
TROUBLESHOOTING .....	11
SPECIFICATIONS .....	12
PWR-10-0ME1 (AFTER SERIAL #30007417).....	14
CONTROL BOX ASSEMBLY (AFTER SERIAL #30007594) .....	16
WX-0106 WHEEL KIT OPTION .....	18
WX-0109 DUAL FILTER OPTION (AFTER SERIAL #30008169) .....	20
WIRING DIAGRAM (BEFORE SERIAL #3007594) .....	22
LADDER DIAGRAM (BEFORE SERIAL #3007594).....	23
WIRING DIAGRAM (AFTER SERIAL #30007594) .....	24
LADDER DIAGRAM (AFTER SERIAL #30007594).....	25
STATEMENT OF WARRANTY .....	26

### **⚠ WARNING**

**⚠ WARNING:** This product can expose you to chemicals including Lead, which is known to the State of California to cause cancer and birth defects or other reproductive harm. For more information go to [www.P65Warnings.ca.gov](http://www.P65Warnings.ca.gov)

### **⚠ WARNING**

**⚠ WARNING:** This product can expose you to chemicals including carbon monoxide, which is known to the State of California to cause birth defects or other reproductive harm. For more information go to [www.P65Warnings.ca.gov](http://www.P65Warnings.ca.gov)

## INTRODUCTION

Congratulations on the purchase of your new Portable Water Recovery System (PWR)! You can be assured your Mi-T-M PWR was constructed and designed with quality and performance in mind. Each component has been rigorously tested to ensure the highest level of acceptance.

This operator's manual was compiled for your benefit. By reading and following the simple safety, installation, operation, maintenance and troubleshooting steps described in this manual, you will receive years of trouble free operation from your new PWR System. The contents of this manual are based on the latest product information available at the time of publication. The manufacturer reserves the right to make changes in price, color, materials, equipment, specifications or models at any time without notice.

### ! IMPORTANT !

The following "Signal Words" are used throughout this manual to designate the degree or level of hazard seriousness.

**DANGER:** Indicates an imminently hazardous situation which, if not avoided, WILL result in death or serious injury.

**WARNING:** Indicates a potentially hazardous situation which, if not avoided, COULD result in death or serious injury.

**CAUTION:** Indicates a potentially hazardous situation which, if not avoided MAY result in minor or moderate injury.



The symbol set to the left of this paragraph is a "Safety Alert Symbol". This symbol is used to call attention to items or procedures that could be dangerous to you or other persons using this equipment.



**ALWAYS PROVIDE A COPY OF THIS MANUAL TO ANYONE USING THIS EQUIPMENT. READ ALL INSTRUCTIONS BEFORE OPERATING THIS PWR SYSTEM VAC AND ESPECIALLY POINT OUT THE "SAFETY WARNINGS" TO PREVENT THE POSSIBILITY OF PERSONAL INJURY TO THE OPERATOR.**



Once the unit has been removed from the box, immediately write in the serial number of your unit in the space provided below.

**SERIAL NUMBER** \_\_\_\_\_

Inspect for signs of obvious or concealed freight damage. If damage does exist, file a claim with the transportation company immediately. Be sure that all damaged parts are replaced and that the mechanical and electrical problems are corrected prior to operation of the unit. If you require service, contact your Customer Service.

CUSTOMER SERVICE  
CALL OUR TOLL-FREE NUMBER  
for the Sales or Service Center nearest you!  
800-553-9053

Please have the following information available for all service calls:


1. Model Number
2. Serial Number
3. Date and Place of Purchase



# SAFETY WARNINGS



**WARNING:** When using this product, basic precautions should always be observed, including the following:  
**READ ALL SAFETY INSTRUCTIONS BEFORE USING PWR System**

HAZARD	POTENTIAL CONSEQUENCE	PREVENTION
<p data-bbox="120 258 470 323"><b>RISK OF ELECTRIC SHOCK OR ELECTROCUTION</b></p> 	<p data-bbox="509 258 928 443">Serious injury or death could occur if the PWR System is not properly grounded. Your PWR System is powered by electricity and may cause electric shock or electrocution if not used properly.</p> <p data-bbox="509 751 919 810">Electrical shock may occur from electrical cord.</p> <p data-bbox="505 1377 932 1470">Serious injury or death may occur if electrical repairs are attempted by unqualified persons.</p>	<p data-bbox="948 258 1500 346">This product must be grounded. Connect to a properly grounded outlet only. See "Grounding Instructions".</p> <p data-bbox="948 359 1500 506">Always be certain the unit is receiving proper voltage. Before plugging the unit into a compatible power source, be certain the switch is in the "OFF" position. Disconnect when not in use.</p> <p data-bbox="948 520 1500 640">Do not modify plug provided with the product. If it will not fit the outlet, have a proper outlet installed by a qualified electrician. Do not remove the plug or use any type of adapter.</p> <p data-bbox="948 653 1500 741">Do not expose the PWR System to rain or submerge in water. Do not use pressurized water to clean the PWR System. Store indoors.</p> <p data-bbox="948 753 1500 842">Check power cord for signs of crushing, cutting or heat damage. If replacement of plug or cord is needed, use only identical replacement parts.</p> <p data-bbox="948 854 1500 942">If PWR System is not working correctly, has been dropped, damaged, left outdoors, or dropped into water, return it to a service center.</p> <p data-bbox="948 955 1500 1102">Keep all connections dry and off the ground. Do not allow electrical cords to lay in water or in such a position where water could come in contact with them. Do not handle plug or PWR System with wet hands.</p> <p data-bbox="948 1115 1500 1262">Do not pull or carry the unit by the electrical cord. Do not use the cord as a handle, close a door on cord, or pull cord around sharp edges or corners. Do not run PWR System over cord. Keep cord away from heated surfaces.</p> <p data-bbox="948 1274 1500 1367">Turn off all controls before unplugging the unit from the outlet. Do not unplug by pulling on cord. To unplug, grasp the plug, not the cord.</p> <p data-bbox="948 1379 1500 1648">Use only extension cords having an electrical rating not less than the rating of the product. Do not use damaged extension cords. Examine extension cord before using and replace if damaged. Keep cord away from heat and sharp edges. Always connect and disconnect the extension cord from the receptacle before connecting and disconnecting the product from the extension cord.</p> <p data-bbox="948 1661 1500 1780">Any electrical wiring or repairs performed on this PWR System should be done by Authorized Service Personnel in accordance with National and Local electrical codes.</p> <p data-bbox="948 1793 1500 1940">Before opening any electrical enclosure, always shut off the PWR System and unplug the PWR System from the power source. Allow the PWR System to cool down. Service in a clean, dry, flat area.</p>



# SAFETY WARNINGS

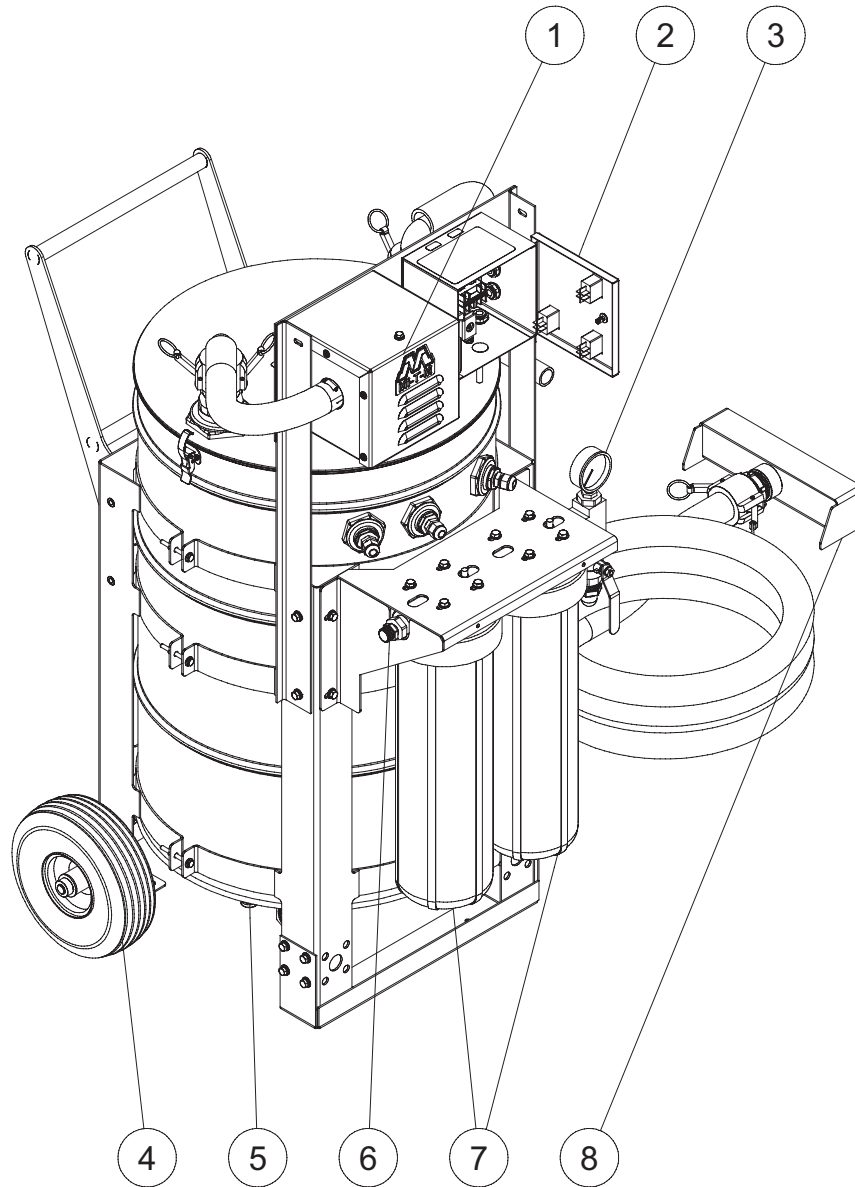
READ ALL SAFETY INSTRUCTIONS BEFORE USING PWR System



HAZARD	POTENTIAL CONSEQUENCE	PREVENTION
<p data-bbox="212 233 483 302"><b>RISK OF EXPLOSION OR FIRE</b></p> <div data-bbox="142 327 331 527"></div> <div data-bbox="342 327 531 527"></div>	<p data-bbox="558 233 964 289">Serious injury or death may occur from normal sparks in the motor.</p> <p data-bbox="558 369 964 459">Serious injury or death may occur from absorption of flammable materials.</p> <p data-bbox="558 474 964 531">Injury may occur from unit overheating.</p>	<p data-bbox="997 233 1528 352">Always operate PWR System in a well ventilated area free of flammable vapors, combustible dust, gases or other combustible materials.</p> <p data-bbox="997 369 1528 459">Do not pick up any flammable materials such as gasoline or anything that is burning or smoking such as cigarettes, ashes, etc.</p> <p data-bbox="997 474 1528 564">Always unroll the Power Cord before operating. Using a rolled-up power cord could result in low voltage or overheating.</p>
<p data-bbox="188 600 505 627"><b>RISK OF BODILY INJURY</b></p> <div data-bbox="224 648 466 905"></div>	<p data-bbox="558 596 964 653">Injury may occur from the PWR System.</p>	<p data-bbox="997 596 1528 653">Keep the suction nozzle away from the body, especially the eyes, ears, nose and mouth.</p> <p data-bbox="997 669 1528 726">Do not use this unit to pickup endangering dusts or substances.</p> <p data-bbox="997 743 1528 833">Stay alert-watch what you are doing. Do not operate the unit when fatigued or under the influence of alcohol or drugs.</p> <p data-bbox="997 850 1528 940">Wet surfaces can be slippery, wear protective foot gear and keep good footing and balance at all times.</p> <p data-bbox="997 957 1528 1047">Direct supervision is necessary when children operate this PWR System. Do not allow to be used as a toy.</p> <p data-bbox="997 1064 1528 1155">DONOT leave operating unit unattended. Shut off the PWR System and disconnect from the power source before leaving.</p> <p data-bbox="997 1171 1528 1228">Know how to stop the PWR System. Be thoroughly familiar with controls.</p> <p data-bbox="997 1245 1528 1360">Before servicing the unit: turn the unit off and allow the unit to cool down. Service in clean, dry, flat area. Block the wheels to prevent the unit from moving (with optional kit).</p> <p data-bbox="997 1377 1528 1593">Use of this machine for anything not specified in this manual may be dangerous and must be avoided. The manufacturer cannot be held responsible for any damage/injury caused to persons or property because of the incorrect use of the machine due to procedures being used which are not specified in this manual.</p> <p data-bbox="997 1610 1528 1698">Do not put any object into openings. Do not use with any opening blocked; keep free of dust, lint, hair, and anything that may reduce air flow.</p> <p data-bbox="997 1715 1528 1772">Keep hair, loose clothing, fingers, and all parts of body away from openings.</p> <p data-bbox="997 1789 1528 1845">Use only as described in this manual. Use only manufacturer's recommended attachments.</p> <p data-bbox="997 1862 1528 1883">Use extra care when cleaning on stairs.</p>

**! SAVE THESE INSTRUCTIONS !**

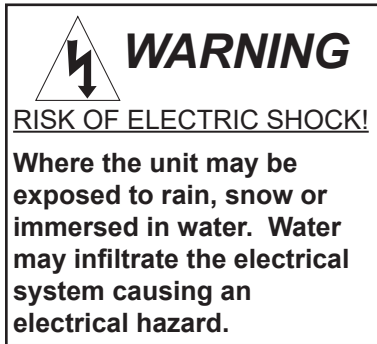
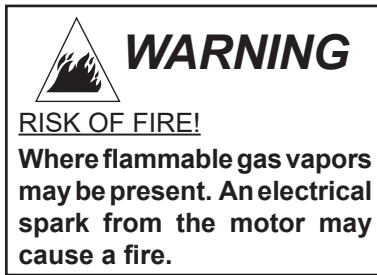
## PORTABLE WATER RECOVERY UNITS



### FEATURES LISTING

- |                   |                |
|-------------------|----------------|
| 1. Vacuum         | 5. Tank Drain  |
| 2. Control Box    | 6. Outlet      |
| 3. Pressure Gauge | 7. Filter      |
| 4. Wheel Kit      | 8. Suction End |

## INSTALLATION & PREPARATION



### ATTIRE:

Proper attire is essential to your safety. It is advised to utilize whatever means necessary to protect eyes, ears and skin. Additional safety attire may be required when using the PWR with other cleaning equipment (like a pressure washer).

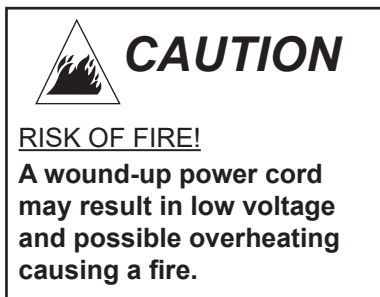
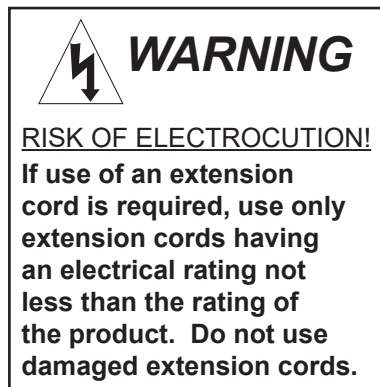
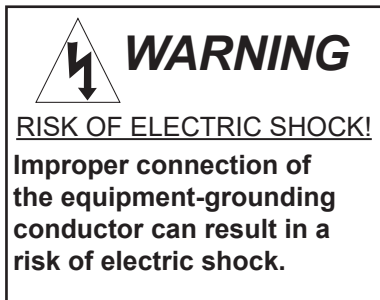
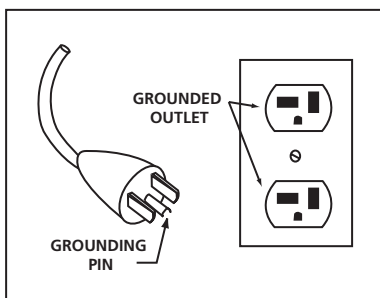
### SET-UP:

1. This unit should only be placed on a level surface to ensure unit does not tip over while operating. NEVER spray water directly on unit!
2. Do not place unit in an area:
  - a. Where there is evidence of an oil or gas leak.
  - b. Where flammable gas vapors may be present.
3. Do not allow the unit to be exposed to extreme weather like rain, snow or freezing temperatures. If any part of the unit becomes frozen; excessive pressure may build up in the unit which could cause damage to the unit or individuals around the unit.
4. Before each use, make sure the vacuum hose and pump out line are free of all obstructions.
5. The system is supplied with a 6" x 20' water dyke to be placed in a location that will pool the wash water so that the vacuum system can recover the water. DO NOT DIRECTLY CONNECT HOSE TO FILL PORT, THE DYKE IS NOT PRESSURE RATED AND WILL BE DAMAGED.
  - a. Unroll the water dyke and place in the location where it is going to be used. Place opening end on the higher side of the grade.
  - b. To fill the water dyke open the cap and hold the end of a garden hose or pressure washer hose without nozzle inside the inlet port and turn water on. Fill to half to three quarters of the way full for best results.
  - c. Secure the cap and the dyke is ready for use.
6. If oils will be present in the water that is to be recovered by the PWR system, place a clean oil sock in either the collection drum (must be fixed in place so it does not interfere with floats) or the final holding tank for the water.
7. The vacuum line has a 90° cam coupler and a straight cam coupler on it and will be attached between the barrel inlet and the water pickup.
  - a. The straight coupler attaches to the water pickup and the 90° coupler attached to the barrel inlet.
  - b. The vacuum hose must be uncoiled when vacuuming to insure solids do not settle in the vacuum line and to achieve the maximum vacuum possible.
8. The discharge connection is a standard garden hose fitting. Connect a garden hose to the discharge and direct the discharged water line either into a holding tank or to an appropriate discharge location.

**NOTE:** Ensure all materials are disposed of according to Federal and State EPA Standards.

## INSTALLATION & PREPARATION

FIG. A



### POWER CORD CONNECTION:

1. Make sure all switches are in the "Off" position.
2. Ensure electrical supply is identical to the specifications listed on the Portable Water Reclaim (PWR) data plate.
3. **GROUNDING INSTRUCTIONS:** This product must be grounded. If it should malfunction or break down, grounding provides a path of least resistance for electric current to reduce the risk of electric shock. This product is equipped with a cord having an equipment-grounding conductor. The plug must be plugged into an appropriate outlet that is properly installed and grounded in accordance with all local codes and ordinances.
4. **DANGER:** Improper connection of the equipment-grounding conductor can result in a risk of electrocution. Check with a qualified electrician or service personnel if you are in doubt as to whether the outlet is properly grounded. Do not modify the plug, if it does not fit the outlet; have a proper outlet installed by a qualified electrician.
5. The PWR system is for use on a nominal 120 VAC circuit and has a grounding attachment plug (see Fig. A). Make sure that the PWR system is connected to an outlet having the same configuration as the plug. No adapter should be used with the PWR system.
6. Unroll the power cord before plugging it into a grounded outlet.
7. Ensure the area between the PWR and cord and the outlet is kept dry.



## OPERATING INSTRUCTIONS

### OPERATION:

1. Please observe the following precautions while using your Portable Recovery System:
  - a. Do not place any object in the PWR vacuum openings. Ensure all openings remain unobstructed and free of debris or anything that may reduce air flow.
  - b. Aggressive solvents or detergents should not be used. DO NOT operate the unit if you see any foam/liquid leaking from the vacuum. DO NOT resume operation until the unit has been inspected and repaired by a qualified service person.
  - c. If the equipment should overturn, it is recommended that the PWR be placed upright before turning it off.

*Note: The PWR is supplied with a barrel drain, be sure the drain valve is closed before starting the unit. The PWR will not operate properly with the barrel drain open.*

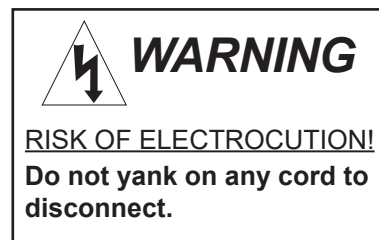
2. With the PWR system setup complete and the water pickup positioned in an area where water will pool; move all the ON/OFF switches to the "ON" position.
  - a. As water is recovered and the barrel fills, the low level float will rise allowing the transfer pump to turn on.
    - i. At this point, if the transfer pump is switched on, water will be pumped through the filters and discharged to a sanitary sewer or holding tank.
    - ii. The filters should be replaced or cleaned as the pressure builds in the filter canister to ensure optimal performance from the transfer pump.

*NOTE: Ensure all materials are disposed of according to State and Federal EPA Standards.*

- b. If more water is being vacuumed up than can be pumped out by the transfer pump the high level float in the barrel will be actuated and will turn the vacuum motor off. The vacuum will remain off until the barrel is emptied enough for the float to go down.

### SHUTDOWN:

1. When recovery application is completed, allow the transfer pump to drain the barrel until the low level float turns the unit off then turn the on/off switch to the "Off" position.
2. Disconnect the power cord from the receptacle and roll up the cord.
3. Take the unit to an area that is acceptable for clean out and meets all local and federal regulations for discharge.
4. Open the drain on the bottom of the barrel.
5. Remove the lid off the barrel and remove the filter housings using the filter wrench.
  - a. Dump the water remaining from the filter housings and remove filters for cleaning and drying or disposal. Remember to replace filter before next operation.
6. Rinse the barrel and filter housing out, then allow to air dry.
7. When re-attaching filter housings use Vaseline or similar lubricant on the o-rings to help seal the housing to the lids.
8. Wipe down the exterior of the PWR system and store indoors to extend the life of the unit.



## STORAGE & MAINTENANCE

### STORAGE & MAINTENANCE

#### Specific Maintenance:

**Water Pickup:** Inspect openings and make sure they are free of debris and unobstructed.

**Vacuum Hose:** Periodically rinse the vacuum hose out by flushing water through the hose as some solids may remain in the hose after use and may cause an obstruction later on.

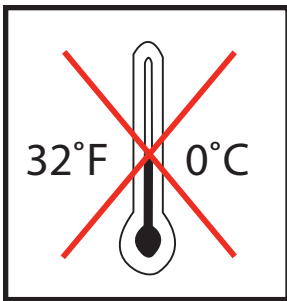
**Collection Barrel:** Remove the lid and thoroughly rinse the inside and outside of the barrel down with fresh water. Allow to dry completely before attaching the lid.

**Filter Housing:** Clean or replace filters as needed during operation. Close discharge valve and use wrench to loosen housing. Filters are heavy when filled with water, prepare to support the weight as the housings are detached from the lids. Double check o-ring position and re-lubricate as needed when re-attaching the housings to the lids.

**Pumps:** The vacuum and transfer pumps should not require any routine maintenance but should be taken to a qualified service technician if pumps performance decreases or unusual sounds are present.

**Water Dyke:** Inspect for holes before each use and if present patch holes or replace as necessary.

**Cam Couplers:** Inspect the o-ring in the female portion of the cam coupler periodically and replace the o-ring if it is cracked or damaged in any way.



#### Winterizing:

It is recommended that this unit be stored in an indoor location that is maintained above freezing temperatures and out of the elements. For storage and transportation purposes in subfreezing ambient temperatures, it will be necessary to winterize this unit for the following reason:

1. Water freezing and expanding as ice could crack piping, the collection barrel or the transfer pump housing.

#### To winterize follow these steps:

1. Drain the entire system of water, including all piping and the transfer pump housing and allow all components in the unit to dry completely before reassembly.
2. During reassembly leave all unions loose and valves open giving ice a place to expand to incase some water is left in the system.

#### Starting Unit after Extended Storage:

1. Be certain the unit is not plugged into the power source.
2. Prior to restarting the unit, inspect all parts to make sure they are not damaged and need replacing.
3. Follow start up procedures and continue use as normal.

## TROUBLESHOOTING

Symptom	Probable Cause	Remedy
PWR Unit will not turn on.	Power cord is disconnected.	Ensure the power cord is securely connected to the unit and to the power source. If using an extension cord; ensure the power cord and extension cords are securely connected.
	Fuse Blown	Turn off all switches and unplug the unit. Check the pumps to make sure they have no obstructions, if so clear them. Then replace the fuse and resume use.
Vacuum Motor will not start.	Brushes on motor are worn.	Contact your dealer or customer service.
	Collection Barrel is full.	Wait for transfer pump to catch up or open drain valve until high level float can go down.
Inadequate Suction	Flexible hose is obstructed, cut or damaged.	Clean or replace flexible hose.
	Water pick up is clogged.	Clean obstructions.
Transfer Pump not pumping.	Collection Barrel empty.	Wait for the low level float to rise and the pump will turn on.
	Filters are blinded	Replace or clean blinded filters.
	Discharge line is obstructed.	Unhook discharge hose and inspect, clear obstruction and reattach.

## SPECIFICATIONS

<b>Model Number</b>	<b>PWR-10-0ME1</b>
Vacuum Motor	1500W 3-stage tangential
Voltage	120V
Amperage	9 amps
Air Flow	110 CFM
Lift	145 in H <sub>2</sub> O
Transfer Pump	1/3hp Submersible
Voltage	120V
Amperage	8 amps
Head	23 feet
Flow Rate	31 GPM
Collection Barrel Capacity	45 gallons
Electrical Cord	25 feet
Fuse	25 amps
Dimensions (L x W x H)	30" x 30" x 42"
Weight (empty)	60 lb

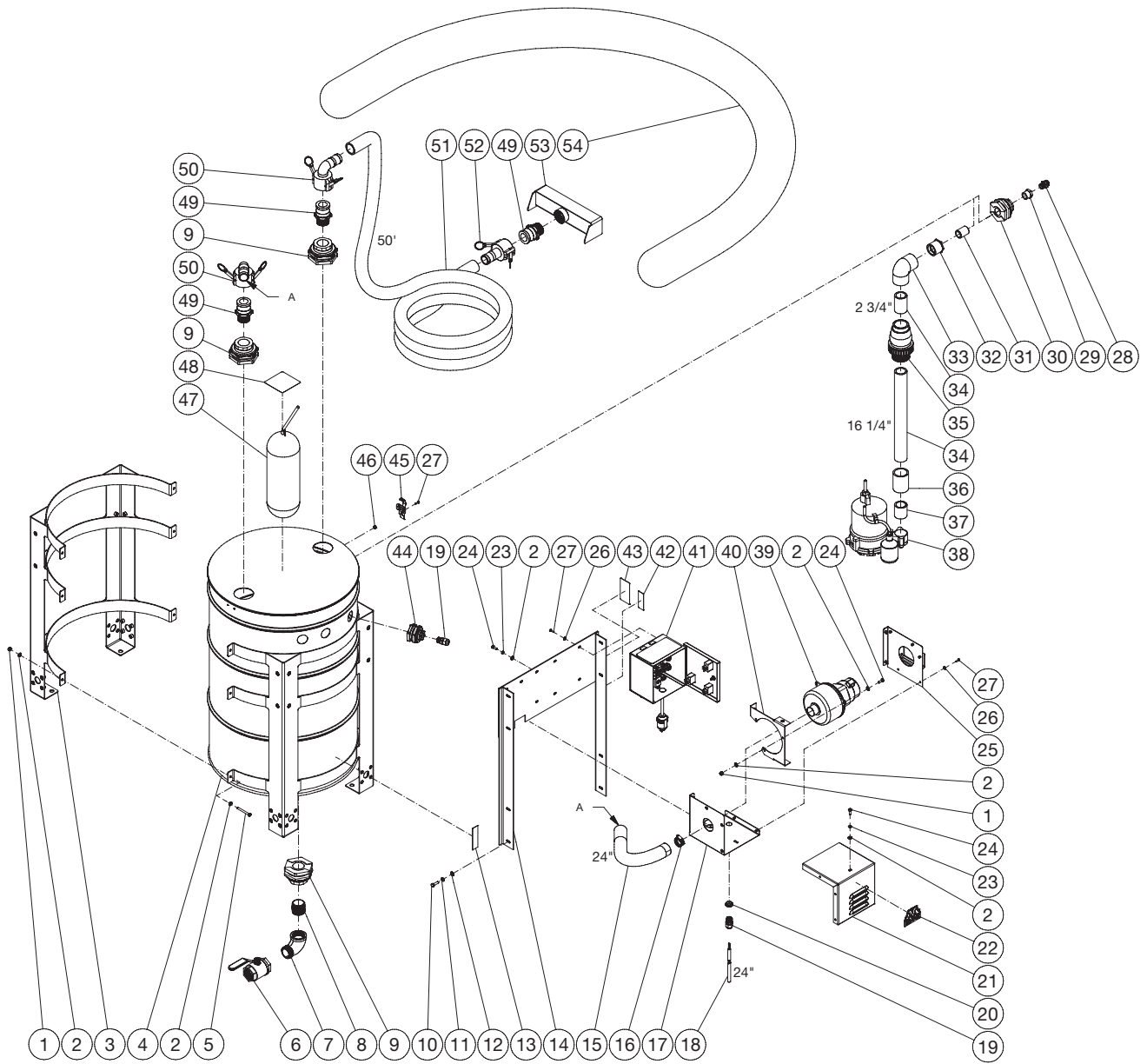
---

## NOTES

---

<b>SERIAL NUMBER</b>	<b>DESCRIPTION</b>
#30005269	WX-0107 OBSOLETE, WX-0109 CHANGED TO DUAL BAG FILTERS
#30007417	LARGER DRAIN, REDSIGNED VACUUM AND CONTROL BOX
#30007594	UPGRADED WIRING
#30008169	CHANGED FILTERS ON WX-0109.

# PWR-10-0ME1 (AFTER SERIAL #30007417)

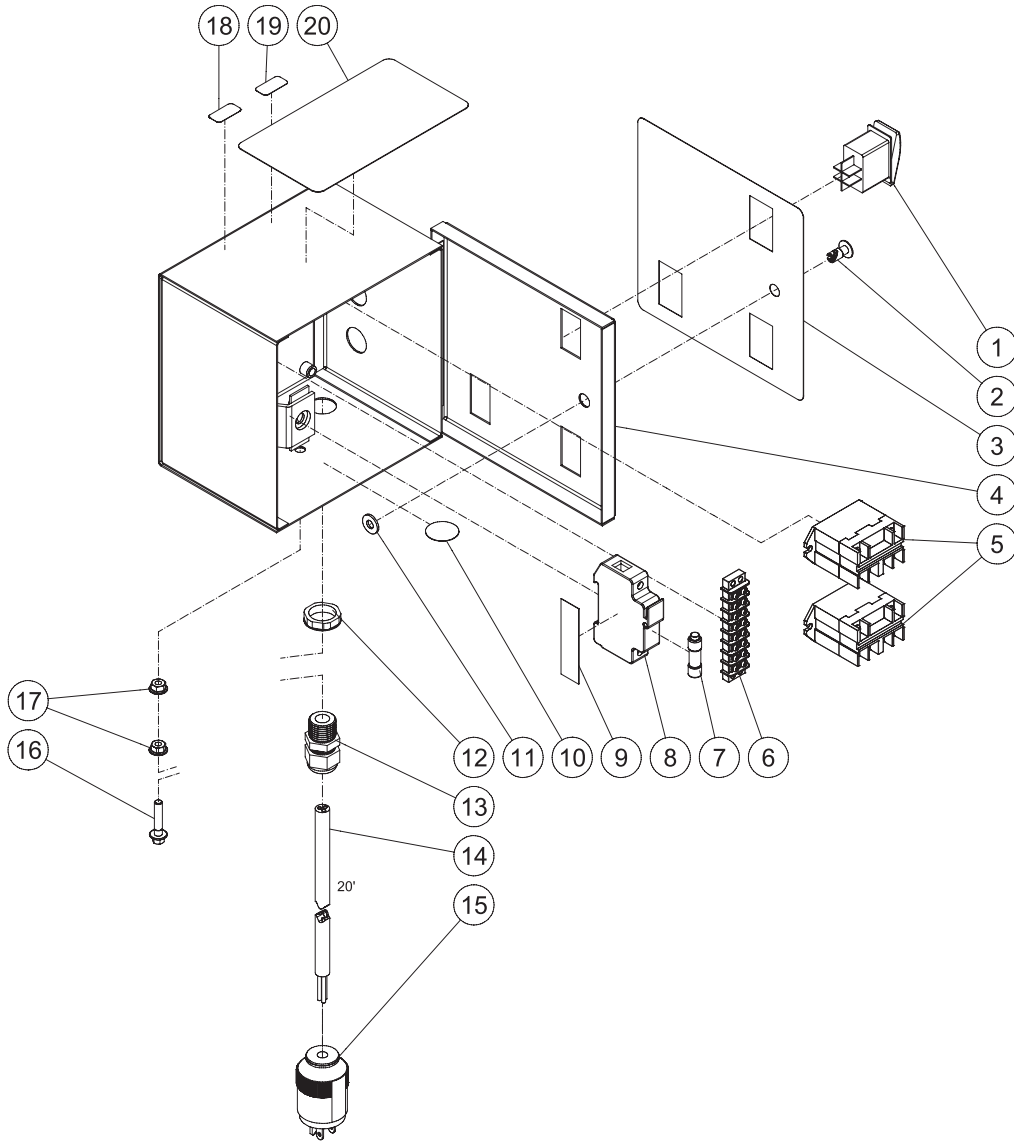


## PWR-10-0ME1

PWR-10-0ME1 083018 MLK			
FRAME ASSEMBLY			
ITEM	DESCRIPTION	Mi-T-M #	QTY
1	LOCKNUT	30-5155	9
2	WASHER	28-0121	25
3	BARREL STAND	20-1266A18	2
4	55 GALLON DRUM	12-0237	1
5	BOLT	27-8996	6
6	BALL VALVE	22-0499	1
7	ELBOW	24-0354	1
8	NIPPLE	24-0355	1
9	BULKHEAD (INC. 25-0481 GASKET)	55-1686	3
10	BOLT	27-5067	4
11	LOCKWASHER	29-1007	4
12	WASHER	28-0122	4
13	DECAL - TANK DRAIN (SEE 71-0110)	N/A	1
14	MOUNTING BRACKET	20-1418A18	1
15	HOSE *(TWO FEET REQUIRED)	15-0329	1
16	HOSE CLAMP	42-0018	1
17	VACUUM BOX	20-1415A18	1
18	CORD	32-0074	1
19	STRAIN RELIEF	32-0437	4
20	ELECTRICAL LOCKNUT	32-0108	1
21	VACUUM BOX COVER	20-1414A18	1
22	DECAL - #2M	34-2168	1
23	LOCKWASHER	29-1006	7
24	BOLT	27-5016	10
25	VACUUM BOX SIDE	20-1416A18	1
26	WASHER	28-0120	12
27	SCREW	27-5033	16
28	ADAPTER	23-0136	1
29	REDUCER	55-1234	1
30	BULKHEAD (INC. 25-0482 GASKET)	55-1286	1
31	NIPPLE	55-1274	1
32	REDUCER	55-1629	1
33	ELBOW	55-1609	1
34	PIPE 1 1/2" *(TWO FEET REQUIRED)	55-1600	1
35	CHECK VALVE	55-1652	1
36	COUPLER	55-1614	1
37	TOE NIPPLE	55-1679	1
38	SUBMERSIBLE PUMP	3-0373	1
39	VACUUM	2-0190	1
40	VACUUM BRACKET	20-1417A18	1
41	CONTROL BOX ASSEMBLY	N/A SEP.	1
42	DECAL - PROP 65	N/A	1
43	DECAL- SILVER STICKER	N/A	1
44	BULKHEAD (INC. 25-0506 GASKET)	55-0886	3
45	LATCH	33-0528	2
46	NUT	30-9516	4
47	OIL BOOM	33-0529	1
48	DECAL - NONPOTABLE WATER (SEE 71-0110)	N/A	1
49	ADAPTER	55-0024	3
50	COUPLER	55-1681	2
51	HOSE *(FIFETY FEET REQUIRED)	15-0223	1
52	COUPLER	55-0053	1
53	VACUUM END	21-0306	1
54	WATER DIKE	33-0520	1
-	DECAL SET	71-0110	1

\*MUST ORDER IN ONE FOOT LENGTHS

# CONTROL BOX ASSEMBLY (AFTER SERIAL #30007594)

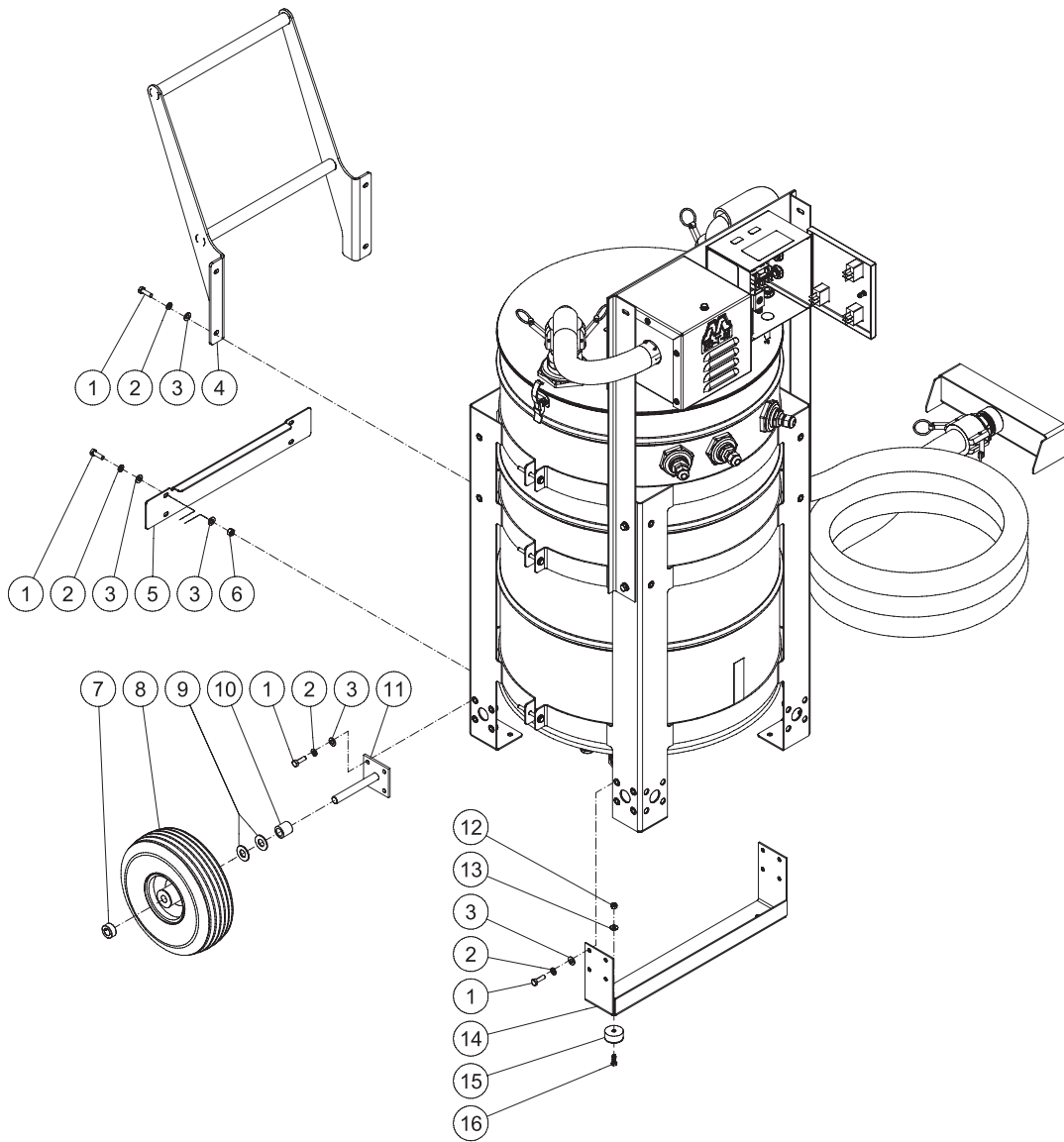




## CONTROL BOX ASSEMBLY

CONTROL BOX ASSEMBLY PWR-10-0ME1 101416 MLK			
CONTROL BOX ASSEMBLY			
ITEM	DESCRIPTION	Mi-T-M #	QTY
1	ROCKER SWITCH	32-0669	3
2	FASTENER	33-0197	1
3	DECAL- PWR CONTROL BOX (SEE 71-0110)	N/A	1
4	CONTROL BOX	20-1419A18	1
5	RELAY	32-0633	2
6	TERMINAL STRIP	32-0436	1
7	FUSE	32-1162	1
8	FUSE HOLDER	32-0473	1
9	VELCRO STRIP *(ONE FOOT REQUIRED)	36-0011	1
10	DECAL- GROUND PICTORIAL (SEE 71-0110)	N/A	1
11	RUBBER WASHER	26-0259	1
12	ELECTRICAL LOCKNUT	32-0108	5
13	STRAIN RELIEF	32-0437	5
14	CORD *(TWENTY FEET REQUIRED)	32-0445	1
15	PLUG	32-0121	1
16	BOLT	27-8898	1
17	NUT	30-3022	2
18	DECAL - 115 VOLT (SEE 71-0110)	N/A	1
19	DECAL - 1 PHASE (SEE 71-0110)	N/A	1
20	DECAL - RISK OF ELECTROCUTION (SEE 71-0110)	N/A	1
-	DECAL SET	71-0110	1
*MUST ORDER IN ONE FOOT LENGTHS			

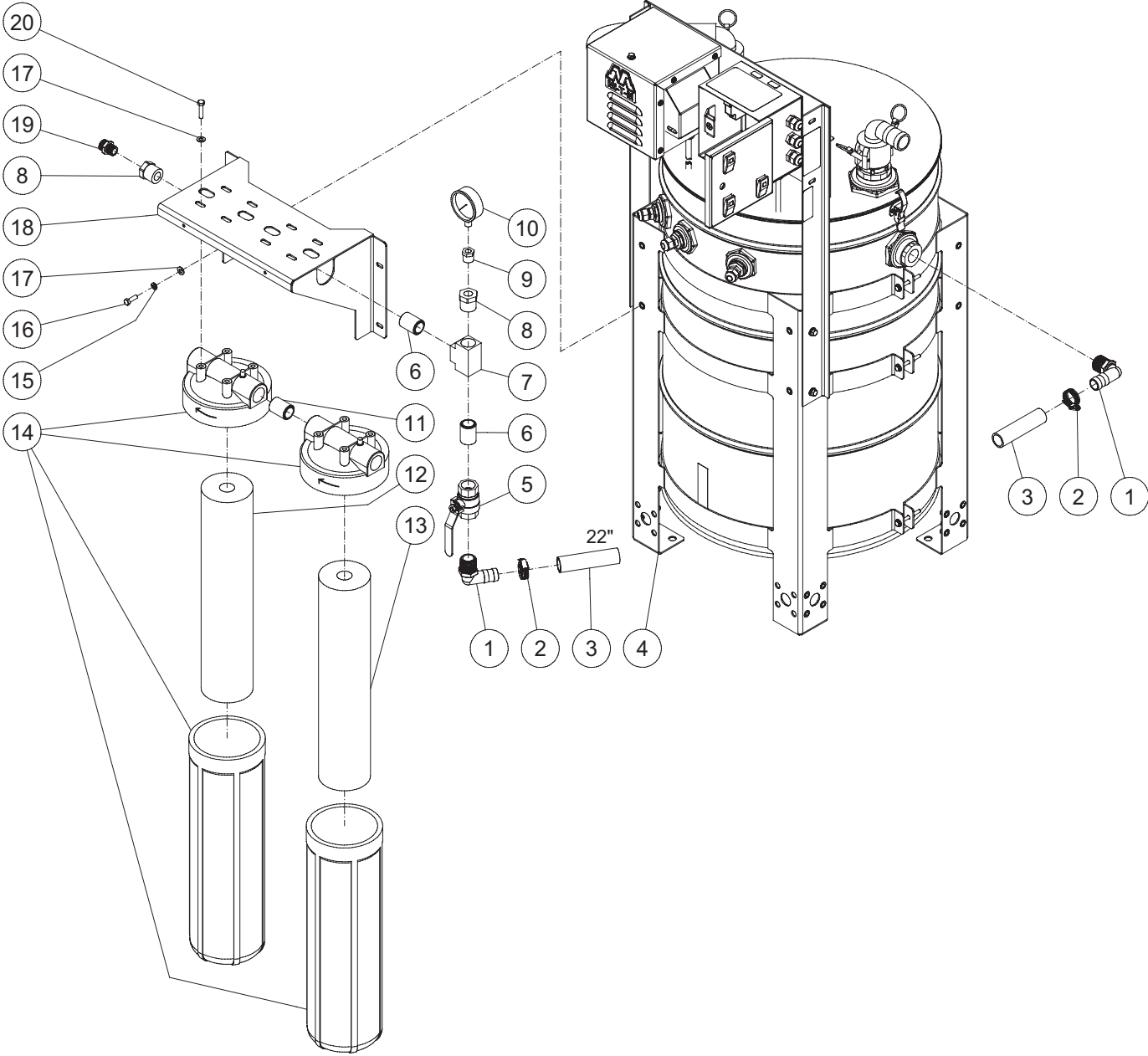
# WX-0106 WHEEL KIT OPTION



## WX-0106 WHEEL KIT OPTION

WX-0106 120915 MLK			
OPTION - WHEEL KIT			
ITEM	DESCRIPTION	Mi-T-M #	QTY
1	BOLT	27-5067	24
2	LOCKWASHER	29-1007	24
3	WASHER	28-0122	28
4	HANDLE	7-0231A18	1
5	KICK PLATE	20-1273A18	1
6	LOCKNUT	30-5158	4
7	COLLAR	33-0351	2
8	WHEEL	14-0130	2
9	WASHER	28-0008	4
10	SPACER	62-0188	2
11	AXLE	20-0670A01	2
12	LOCKNUT	30-0155	2
13	WASHER	28-0002	2
14	ISOLATOR FOOT	20-1271A18	1
15	ISOLATOR	14-0069	2
16	BOLT	27-0015	2

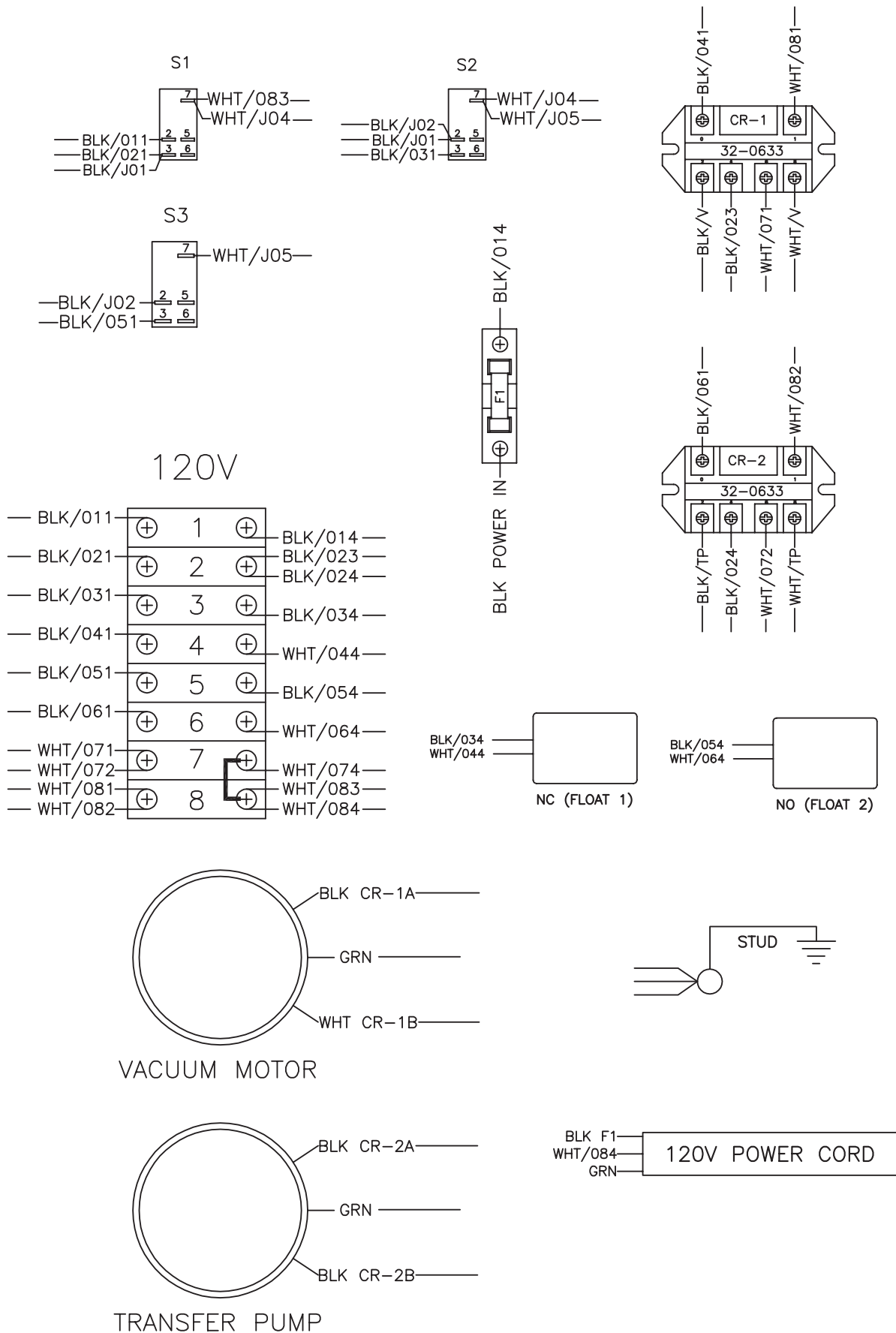
WX-0109 DUAL FILTER OPTION (AFTER SERIAL #30008169)



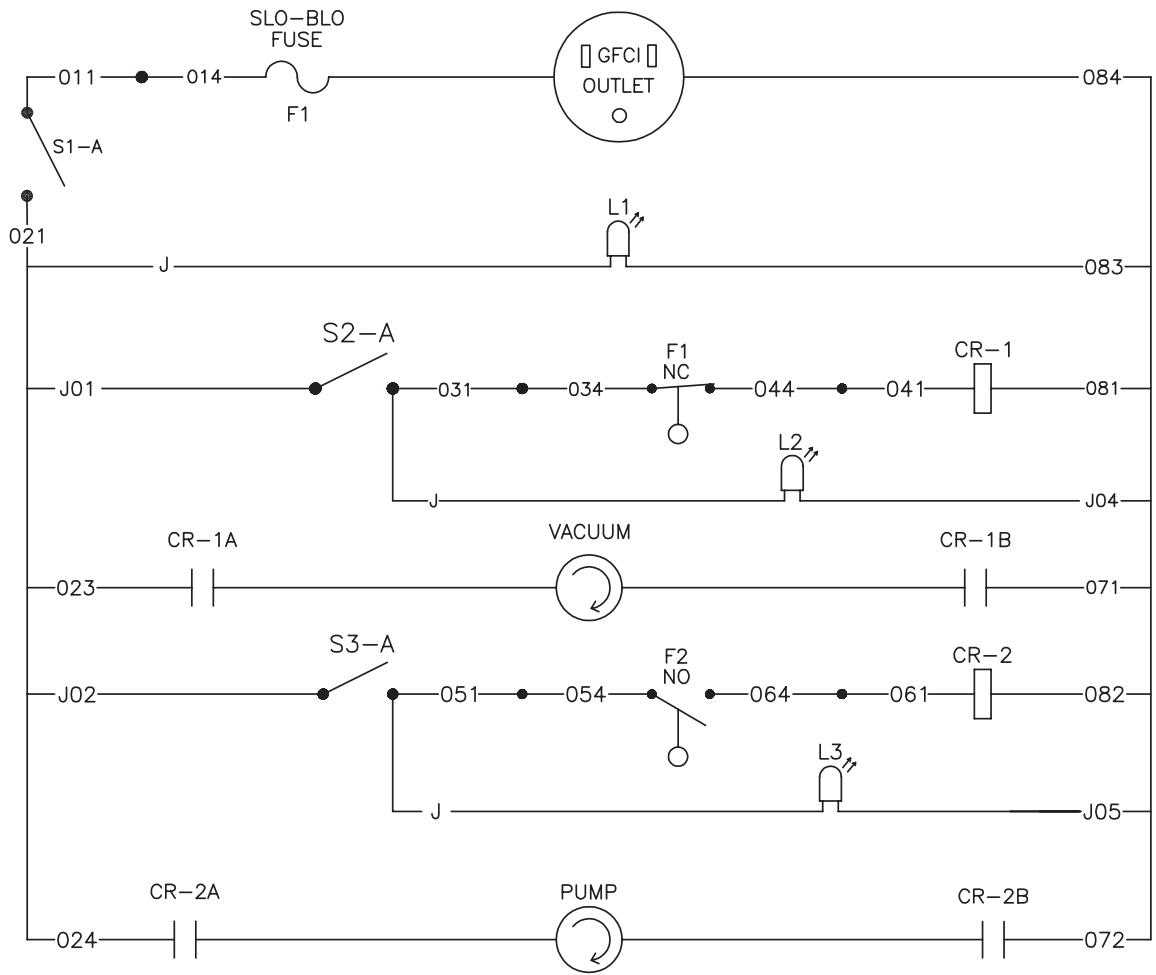
## WX-0109 DUAL FILTER OPTION

WX-0190 032921			
OPTION- FILTERS			
ITEM	TITLE	PART #	QTY
1	ELBOW	55-1293	2
2	HOSE CLAMP	42-0018	2
3	HOSE *(TWO FEET REQUIRED)	15-0290	2
4	PORTABLE WASH RECOVERY UNIT	N/A SEP.	1
5	BALL VALVE	22-0344	1
6	NIPPLE	23-0094	2
7	BRASS TEE	23-0149	1
8	REDUCER	23-0226	2
9	REDUCER	23-0056	1
10	PRESSURE GAUGE	22-0476	1
11	NIPPLE	55-1274	1
12	FILTER	19-0302	1
13	FILTER	19-0216	1
14	FILTERS HOUSING	19-0634	2
15	LOCKWASHER	29-1007	4
16	BOLT	27-5067	4
17	WASHER	28-0122	12
18	FILTER BRACKET	20-1663A18	1
19	ADAPTER	23-0136	1
20	BOLT	27-5276	8
-	FILTER WRENCH	33-0378	1
*MUST ORDER IN ONE FOOT LENGTHS			

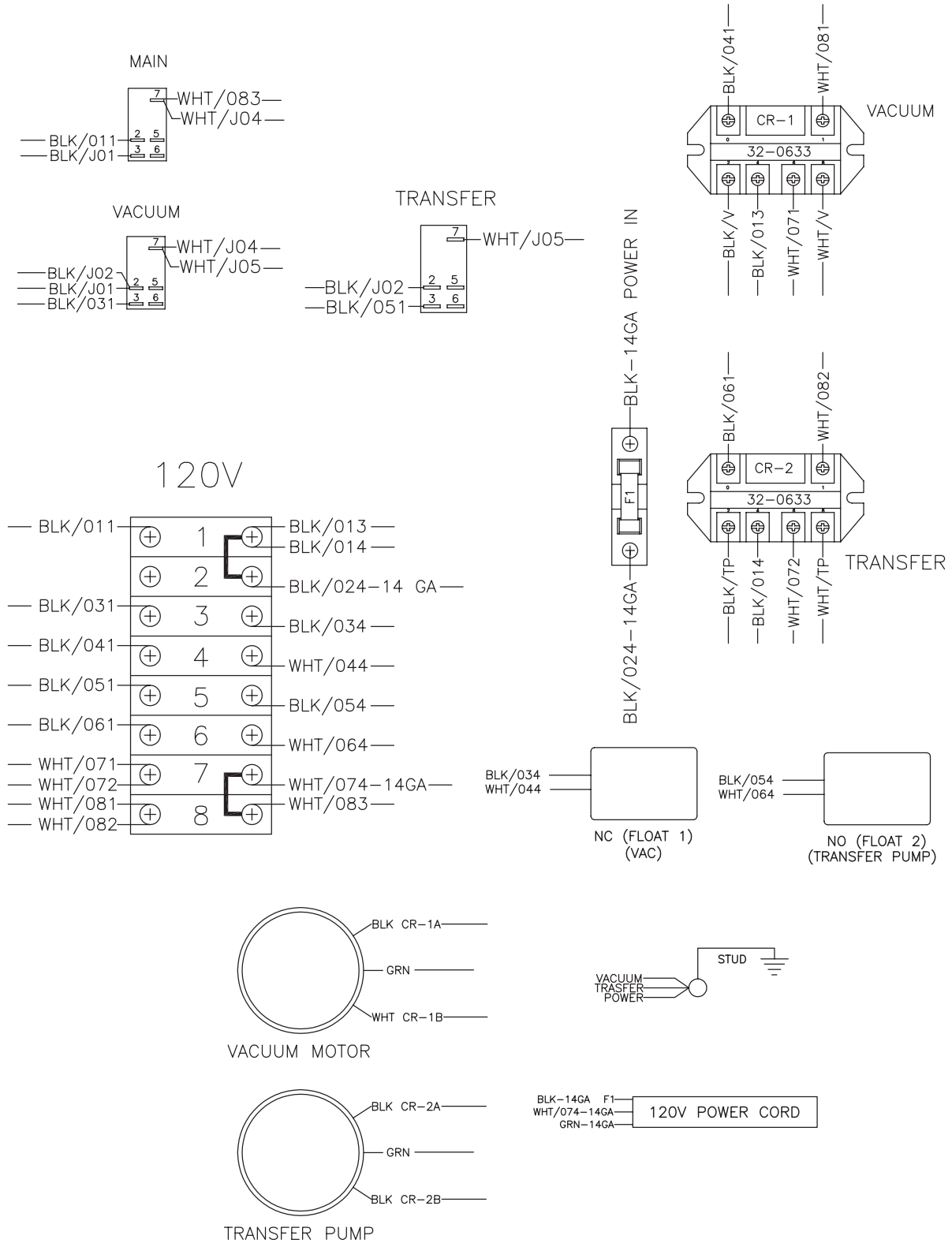
# WIRING DIAGRAM (BEFORE SERIAL #3007594)



# LADDER DIAGRAM (BEFORE SERIAL #3007594)

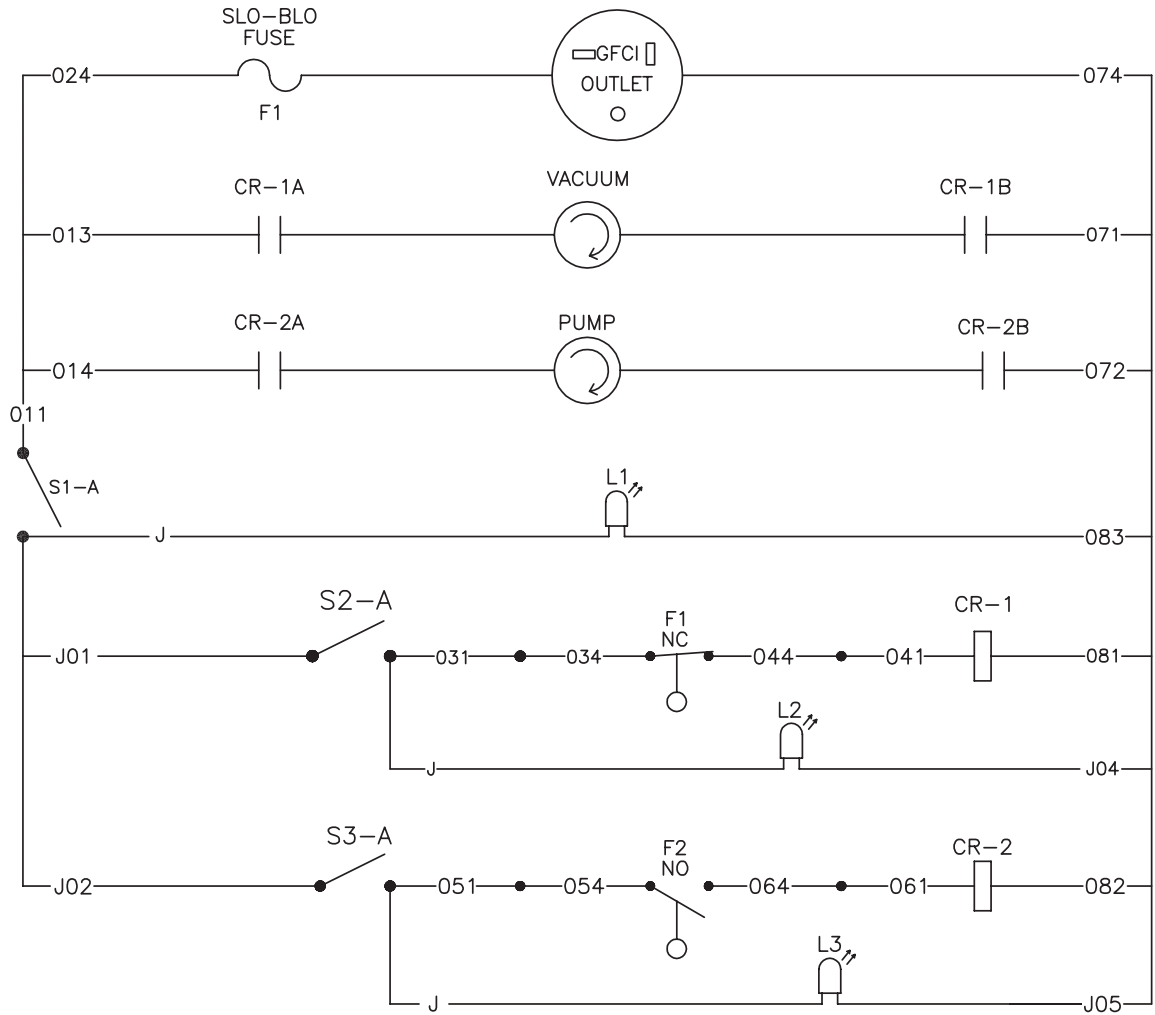


# WIRING DIAGRAM (AFTER SERIAL #30007594)





# LADDER DIAGRAM (AFTER SERIAL #30007594)





## STATEMENT OF WARRANTY FOR Mi-T-M PORTABLE WATER RECOVERY SYSTEM

Mi-T-M warrants all parts (except those referred to below) of your new PWR System to be free from defects in materials and workmanship for One (1) Year from the date of original purchase.

Defective parts not subject to normal wear and tear will be repaired or replaced at Mi-T-M's option during the warranty period which upon examination is disclosed to have been defective in material or workmanship. In any event, reimbursement is limited to the purchase price paid.

### EXCLUSIONS

1. This warranty does not cover parts damaged due to:
  - normal wear, misapplication, modifications/alterations, abuse,
  - operation at other than recommended speeds, pressures or temperature,
  - the use of caustic liquids,
  - chloride corrosion or chemical deterioration,
  - fluctuations in electrical or water supply,
  - operating unit in an abrasive, corrosive or freezing environment.
2. This warranty does not cover parts damaged by failure to follow recommended installation, operating and maintenance procedures.
3. This warranty does not cover the cost of:
  - normal maintenance or adjustments,
  - labor charges,
  - transportation charges to Service Center,
  - freight damage.
4. The use of other than genuine Mi-T-M parts will void warranty. Parts returned, prepaid to Mi-T-M's factory or to an Authorized Service Center will be inspected and replaced free of charge if found to be defective and subject to warranty. There are no warranties which extend beyond the description of the face hereof. Under no circumstances shall Mi-T-M bear any responsibility for loss of use of the unit, loss of time or rental, inconvenience, commercial loss or consequential damages.

For Service or Warranty consideration, contact  
Mi-T-M Corporation, 50 MI-T-M Drive, Peosta, IA 52068-0050  
319-556-7484 / 800-553-9053 / Fax 319-556-1235  
Monday-Friday 7:30 AM - 5:00 PM CST



Manufactured by Mi-T-M  
50 MI-T-M Drive, Peosta IA 52068  
563-556-7484/ Fax 563-556-1235